

Description

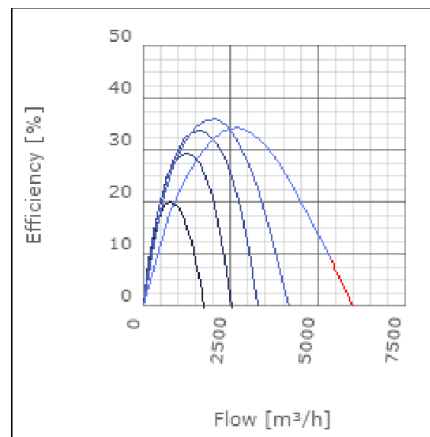
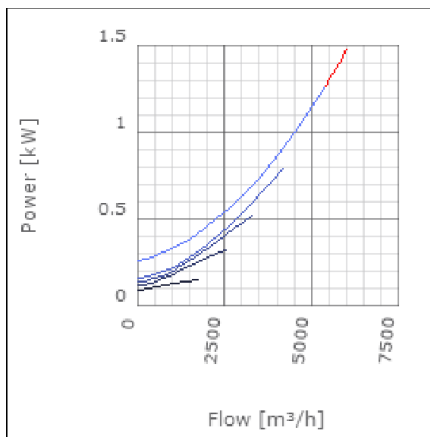
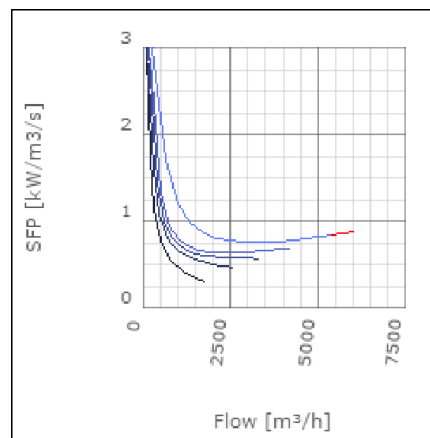
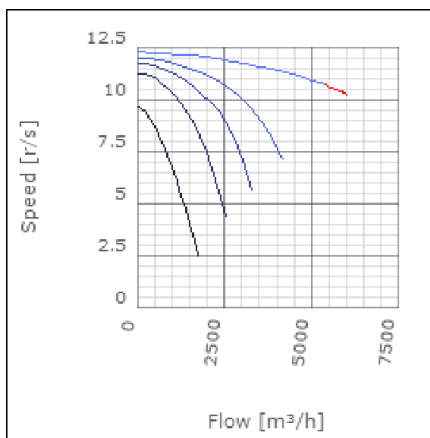
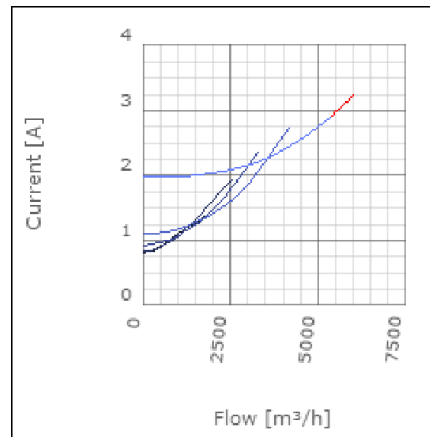
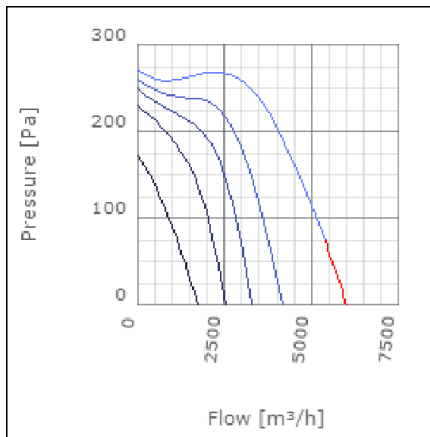
RK is a range of straight flow in-line centrifugal duct fans designed for rectangular ducts. They are compact, high capacity fans which operate quietly and can be fitted in any position. RK fans have forward curved impellers and are designed to cope with high pressure and long duct. The fans have a rigid housing made from galvanised steel. They are moisture proof and approved for use in outdoor environments. The motors are maintenance free and protected from overheating by thermo contacts. The impellers only require occasional cleaning. This cleaning is made easy with the RK's swing out design. All fans are supplied fully wired and ready to fit in a sealed installation unit. The fans are not intended for transporting grinding dust, soot or similar. RK fans come in 8 sizes, which gives a total of 24 different capacities.



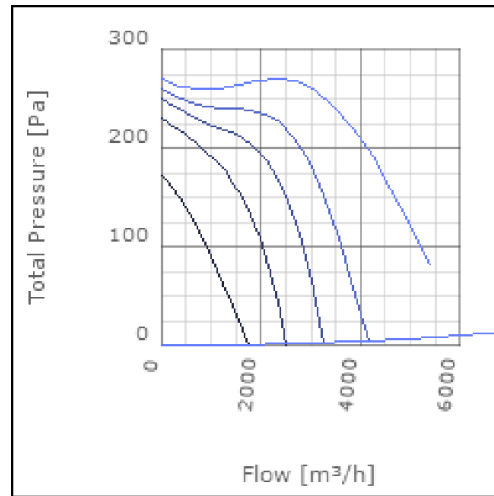
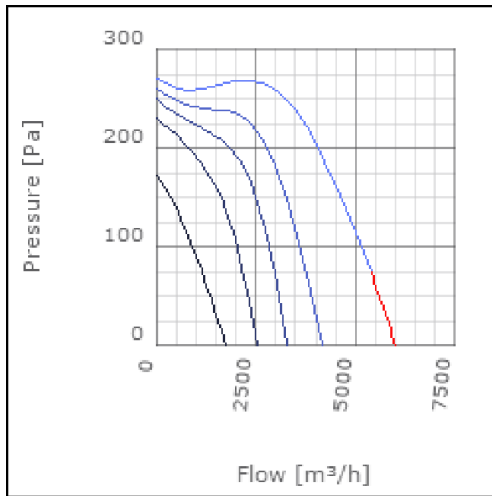
Technical data

| Parameter | Value | Unit |
|---|---------------|-------|
| Voltage | 400 | V |
| Phase | 3 | ~ |
| Frequency | 50 | Hz |
| Power | 1.29 | kW |
| Current | 2.94 | A |
| R.p.m. | 11 | r/s |
| Max. temperature of transported air | 40 | °C |
| Max. temperature of transported air when speed-controlled | 40 | °C |
| Sound pressure level at 3 m | 51.1 | dB(A) |
| Length | 882 | mm |
| Width | 843 | mm |
| Height | 568 | mm |
| Weight | 70 | kg |
| Enclosure class, motor | 44 | IP |
| Insulation class, motor | F | |
| Duct connection | 800x500 mm | |

Diagrams



Sound



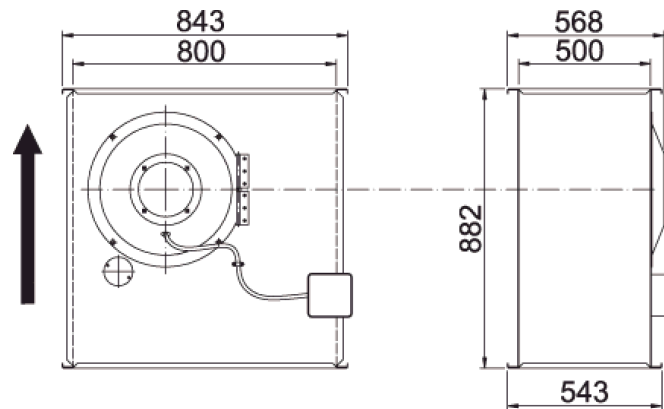
| | Tot | 63 | 125 | 250 | 500 | 1k | 2k | 4k | 8k |
|-------------|-----|----|-----|-----|-----|----|----|----|----|
| Inlet | - | - | - | - | - | - | - | - | - |
| Outlet | - | - | - | - | - | - | - | - | - |
| Surrounding | - | - | - | - | - | - | - | - | - |
| Surrounding | - | - | - | - | - | - | - | - | - |

An empty grid for plotting sound pressure level data. The y-axis ranges from 0 to 120 in increments of 40. The x-axis labels are Tot, 63, 125, 250, 500, 1k, 2k, 4k, and 8k.

Parameter

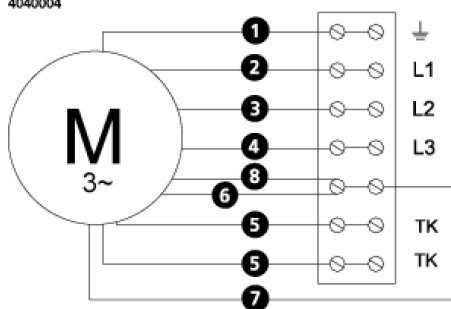
Distance: 3.000
 Propagation type: Hemi-spherical
 Equivalent absorption area: 20.00

Dimensions



Wiring diagram

4040004



- (M) = Fan Motor
- (M1) = Fan Motor
- (M2) = Fan Motor
- (M3) = Rotor Motor
- 1 = Yellow/Green
- 2 = Black
- 3 = Blue
- 4 = Brown
- 5 = White (TW)
- 6 = Orange
- 7 = Grey
- 8 = Red
- 9 = Green
- 10 = Violet

Accessories

- VRDT 4
- VRTT 4

Electrical accessories

- FLR 800x500
- DS 800x500
- RKC-Kit 500 (800x500)
- LDR 800x500